



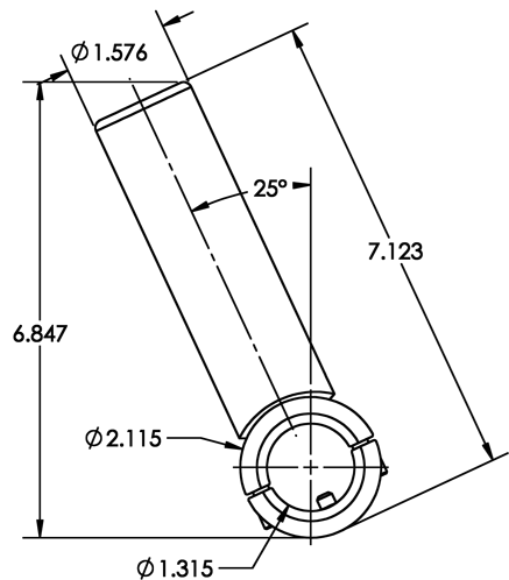
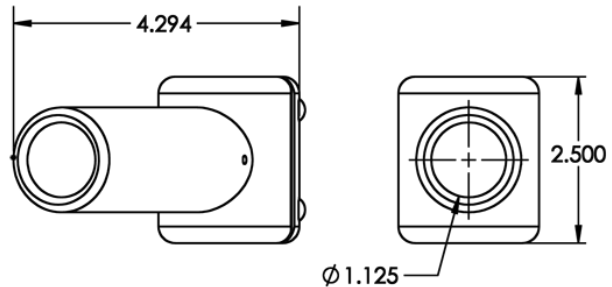
FIXED MOUNT FOR 1-1/8" CENTER RIGGER



For anglers who wish to add another line to their sport fishing arsenal, the Fixed Clamp-On Center Rigger Mount securely attaches to 3/4" and 1" schedule-40 pipe and 1-1/4" O.D. tube. This mount pairs with 1-1/8" Aluminum Center Rigger Poles (OC Series).

FEATURES & BENEFITS

- Easily installed on your existing T-top piping
- Polished, high-quality stainless steel
- Allows for exact positioning
- Pairs with 1-1/8" Aluminum Center Rigger Poles (OC Series)
- **Patent # 7309054 B2**



WARNING:

This product can expose you to chemicals including Lead, which is known to the State of California to cause cancer, birth defects or other reproductive harm. For more information go to www.P65Warnings.ca.gov.



PART NUMBER	DESCRIPTION	UNIT	PACK	UPC
F16-0311C-1	FIXED MOUNT FOR 1-1/8" CENTER RIGGER	Each	4	630838021115